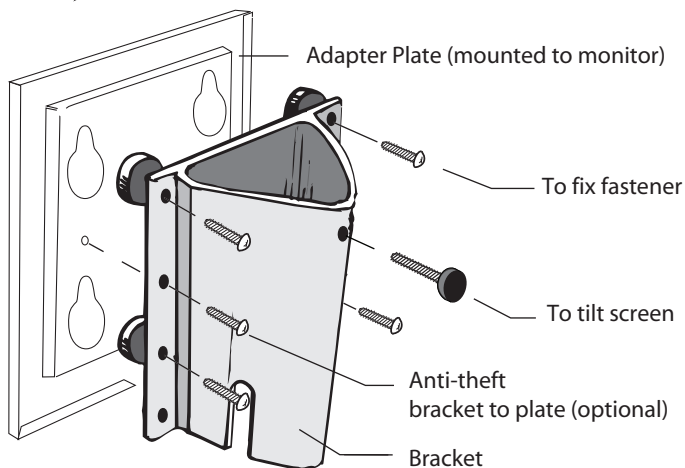
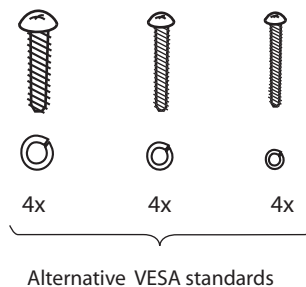
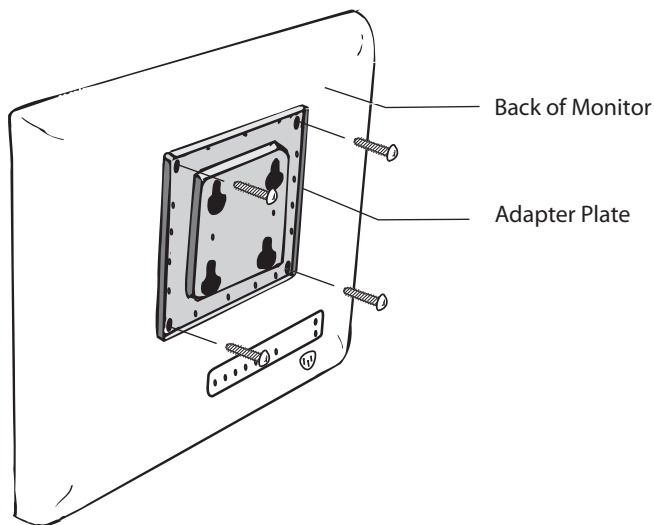
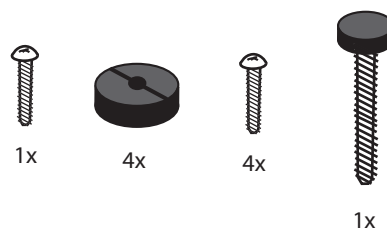


# Expand MonitorStand VESA Plate Mounting

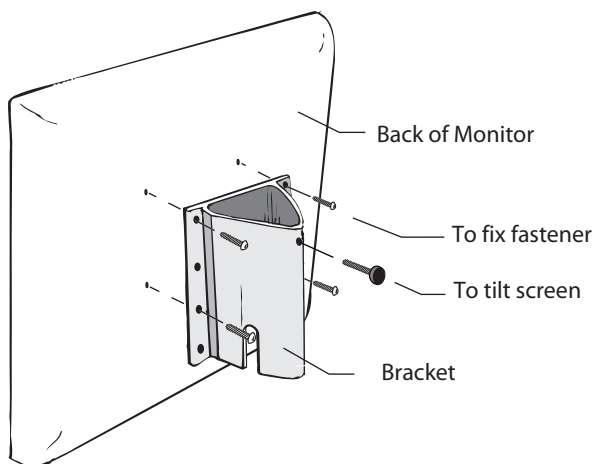
## 200mm x 200mm VESA Standard



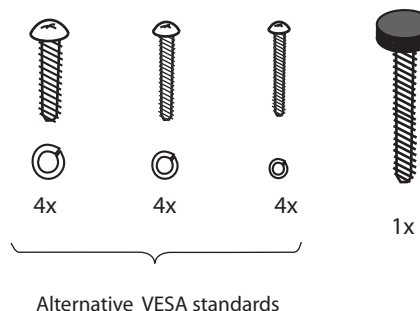
- 1 Mount adapter plate to monitor
- 2 Install fasteners to bracket and mount it on the pole, then hang monitor on the four key hole fasteners.



## 100mm x 100mm VESA Standard (typically for smaller monitors)



- 1 Install bracket directly to the monitor, then attach the bracket and monitor to the top of the pole



(Tools not included - Adjustable wrench and Phillips screwdriver recommended)